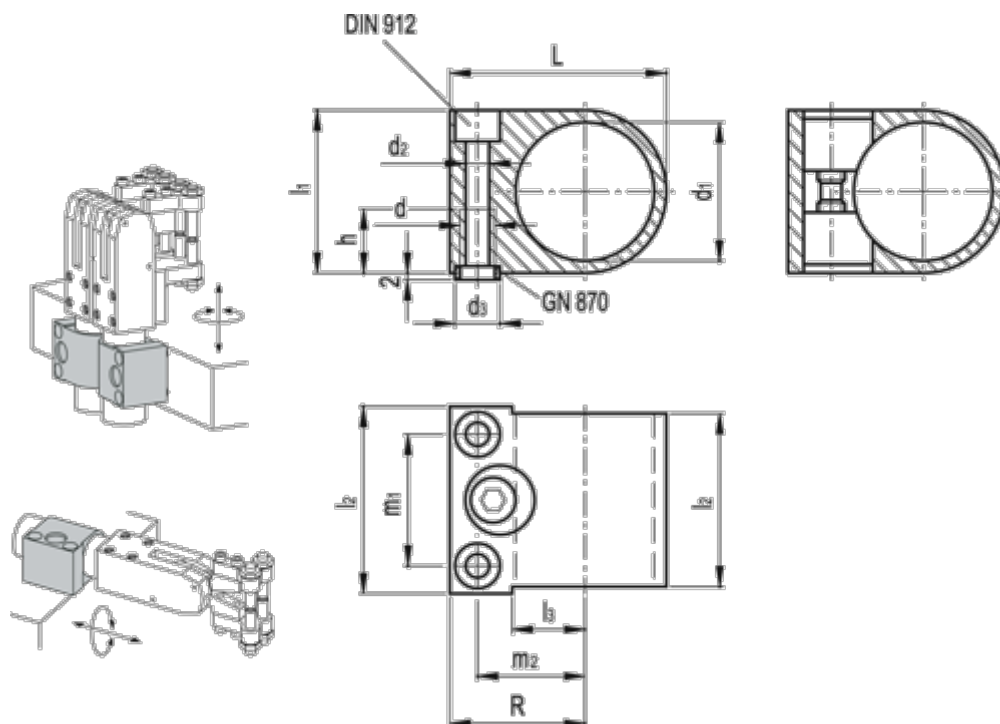


Article number: 201018035

Description: E+G Collar clamp GN 873-40

## Measures



d	= M10	l3	= 51
d1	= 40	l4	= 21
d2	= 8.5	m1	= 38
d3 H8/h6	= 13	m2	= 31.0
h	= 18.5	R	= 39
L	= 62.5	Weight (g)	= 485
l1	= 47		
l2	= 57		